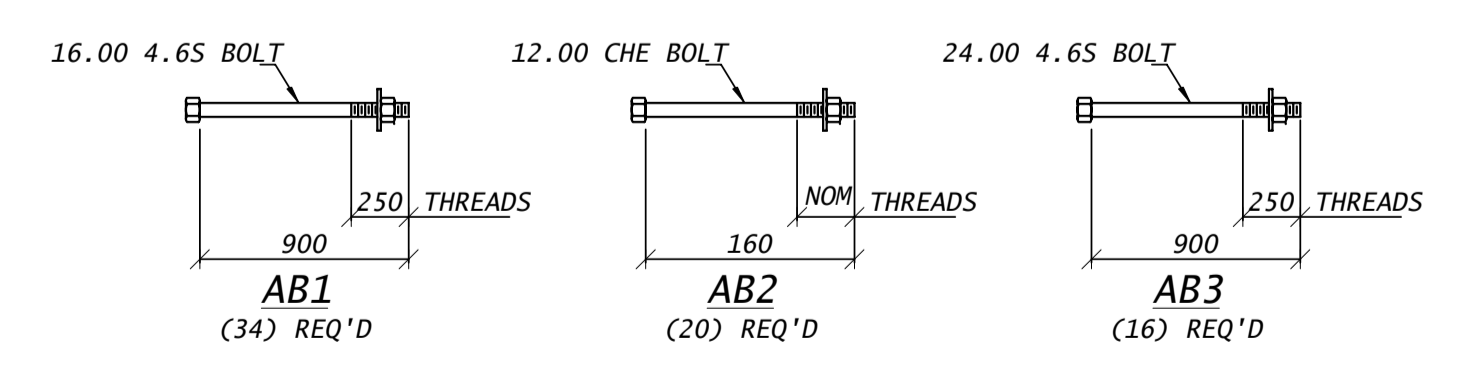
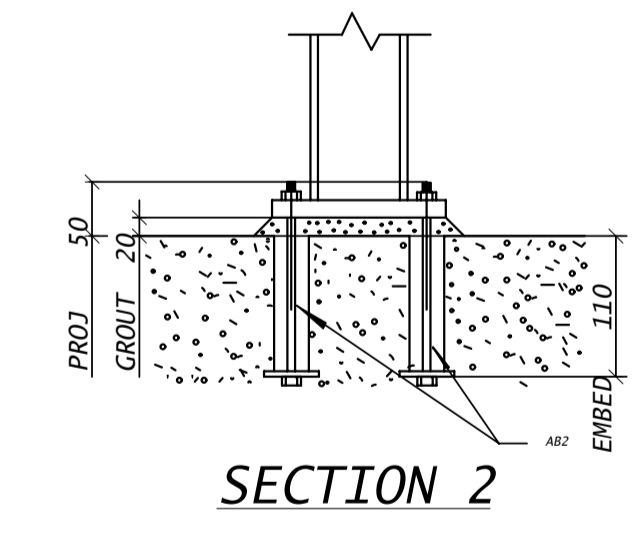
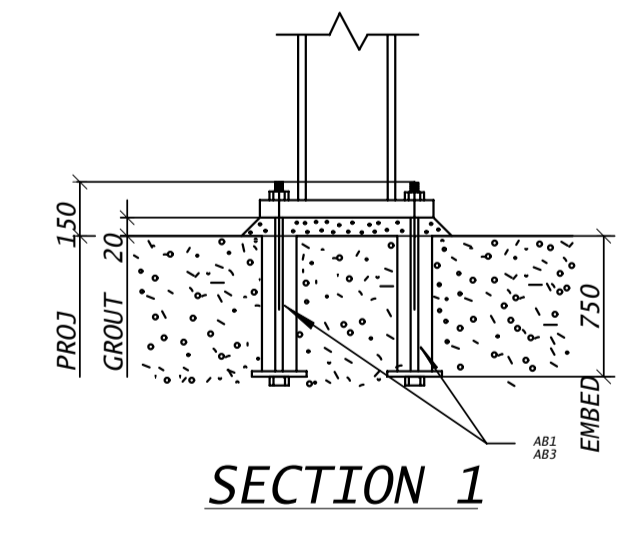


HOLD DOWN BOLT PLAN
FOUNDATION ELEVATION 4700 EXCEPT AS NOTED



STRUCAD

3D VIEW	HOLDING DOWN BOLT PLAN
MARKING PLAN	ARCHITECTURAL DRG
ENGINEER DRG	REFERENCE DRAWINGS

1. ALL CHANNELS/ANGLES TO BE ERECTED WITH DIRECTION OF FLANGES/LEGS AS INDICATED ON PLANS/ELEVATIONS.
2. ALL MEMBERS TO HAVE MARK END AS PER MARK BUBBLE ON PLANS/ELEVATIONS. i.e. MARK END AS SHOWN ON FABRICATION DRAWING IS REPRESENTED BY LOCATION OF MARK BUBBLE. SEE DIAGRAM -

REV	DESCRIPTION	BY	DATE
		MJP	21/12/05

NDS
NETWORK DRAFTING SERVICES P/L
13 / 4 UNIVERSITY DR
ROBINA 4226 QLD.
Tel: +61 7 55788 736
Fax: +61 7 55788 731
nds888@netspace.net.au

StruCad 3d Structural Detailing System

CURTIS STEEL FABRICATION

JOB No. 5425

PROJECT	CARWASH CAFE LAKEVEIW
AREA	BERMUDA ST BROADBEACH WATERS
TITLE	MARKING PLAN
SCALE. NTS	DRG No. HD-1
REV.	